

The AV800 is an intelligent display driver capable of driving most LCD panels. The AV800 can be expanded with AVXBs. The card can also offer video storage via SATA interface and streaming over Gigabit Fibre/Copper network (optional SFP module). With its built on FPGA pre and post image processing is possible.

Applications
Image Processing
LCD Driver
Video Conference

### Features

- TI DM6467 fixed point DSP
- Xilinx Spartan 3 FPGA
- Supports all AVXB video modules
- LVDS LCD Driver
- Inverter Control
- Linux based, easily customisable

### Connectivity

- SATA
- USB
- Analogue Video Out
- Stereo Audio In/Out
- Gigabit Ethernet
- SFP
- LVDS
- UARTS, I2C, SPI Communication Ports
- I/O Interface
- AVXB Expansion Interface x 2

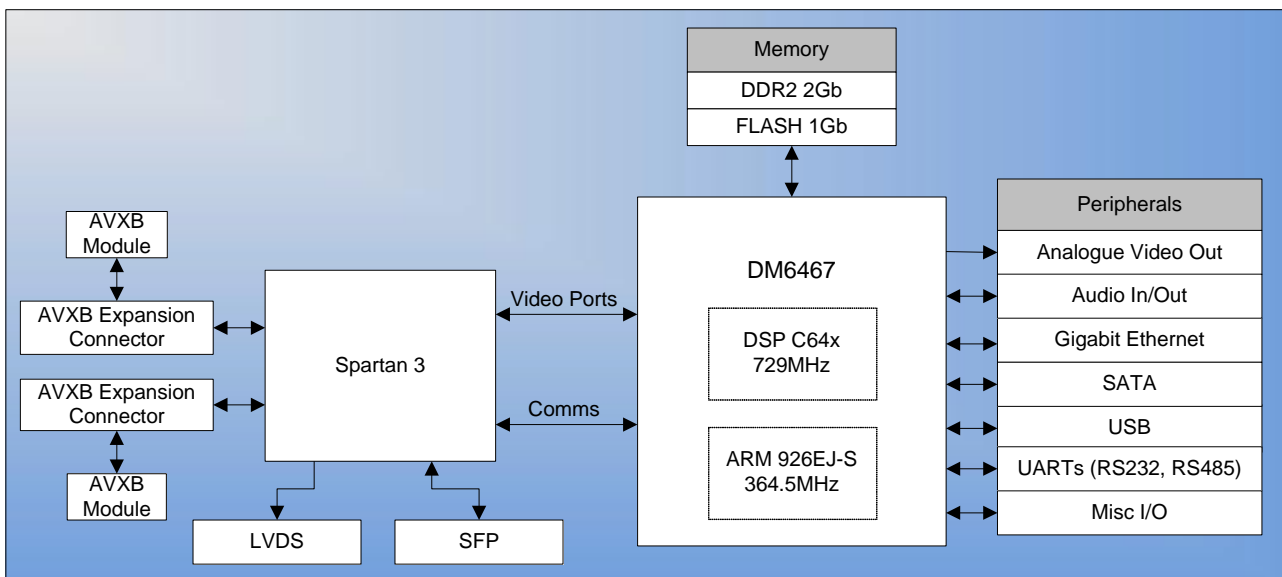
### Software

- Pre-loaded display applications;
  - **H.264** file decoding, display up to 1080
  - Flexible re-scalar to allow full frame rate of lower resolutions.
  - Live RTP H.264 decode and display
  - Analogue video display
  - Customisable panel selector.

- Built in test modes
- AVXB demo software for displaying input video from various sources.
- Overlay OSD function examples
- UBL, Linux Kernel, u-boot and root file system.

### Additional software available:

- Video Streaming
- Audio decoding/encoding



Contact Advanced Vision Technology for customised options.